



Cal. AL32A

ϕ 23.3 mm
H 4.15 mm

Items	Rev.	Page
Specifications	01	1
Appearance	00	2
Casing	00	3
Hand fitting	00	4
Hand setting stem	01	5
Dial-01	00	6-01
Dial-02	00	6-02
Dial-03	00	6-03
Casing ring	01	7

Date: 30/Nov./'10

S.EPSON Products

MOVEMENT SPECIFICATIONS

CAL. AL32A

Analog Quartz 10 1/2" size Movement / Three hands(H/M/S) with Calendar

1. MOVEMENT DIMENSIONS

*Outside diameter	ϕ 23.70mm \times 22.00mm(3-9H) \times 22.60mm(12-6H)
*Casing diameter	ϕ 23.00mm
*Total height	4.15mm (including battery)

2. TIME STANDARD

*Type of quartz oscillator	Tuning fork
*Frequency of quartz oscillator	32,768 Hz
*Accuracy	\pm 20 seconds per month (on wrist)
*Operating temperature range	-5°C to +50°C
*Regulation device	Nil (Pre-adjusted)

3. INDICATOR / FUNCTIONS

*3 Hands	Hour / Minute / Second
*Calendar	Instant setting device for date calendar
*Reset switch	
*Setting mechanism	Crown at normal position : Free Crown pulled out 1st click : Instant date change Crown pulled out 2nd click : Time setting / Reset

4. FEATURES

*Jewels	0 Jewel
*Anti-magnetism	Over 1600A/m (Direct current magnetic field)
*Maximum unbalance of hands	Second hand : 6 μ g·m Minute hand : 60 μ g·m Hour hand : 50 μ g·m

5. BATTERY

*Type / Size	Silver oxide battery / ϕ 6.8mm \times t 2.6mm
*Recommended battery	SR626SW
*Nominal voltage	1.55 V
*Battery life	Approx. 2 years
*Driving current consumption	Approx. 1.50 μ A
*Operation stopping voltage	1.1 V

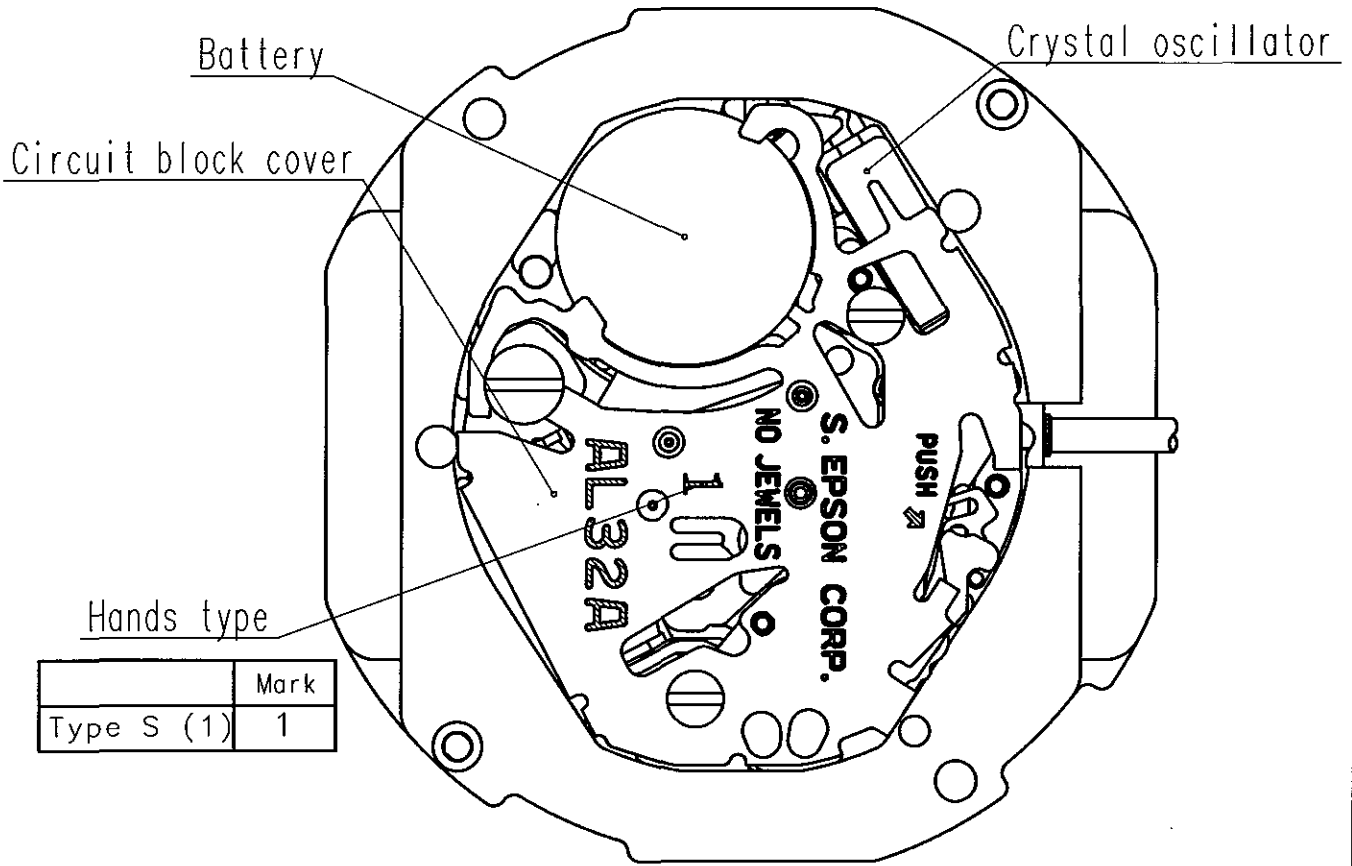
6. SEPARATED PARTS (Parts code)

*Battery	SR626SW
*Hand setting stem	0351177

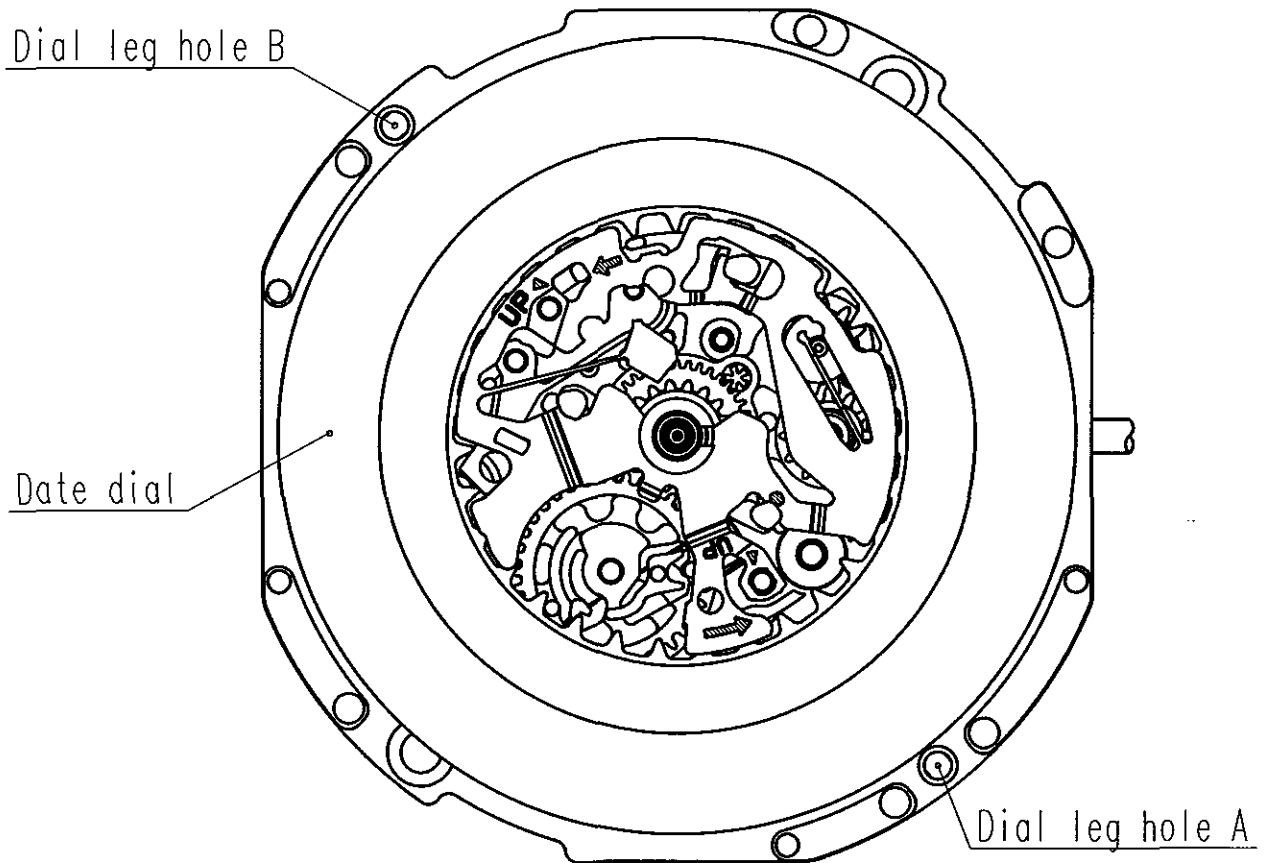
7. TEST OF ACCURACY

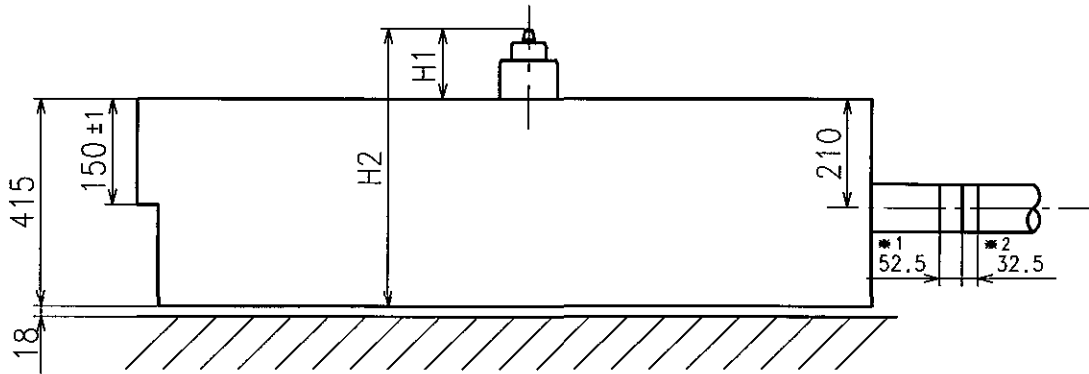
*Equipment to be used	SEIKO quartz tester QT-99, Greiner quartz timer-C , Witschi Q-tester 4000
*Duration of measurement	10 seconds
*Microphone to be used	Electromagnetic detection type

All specifications are subject to change without notice.



	Mark
Type S (1)	1

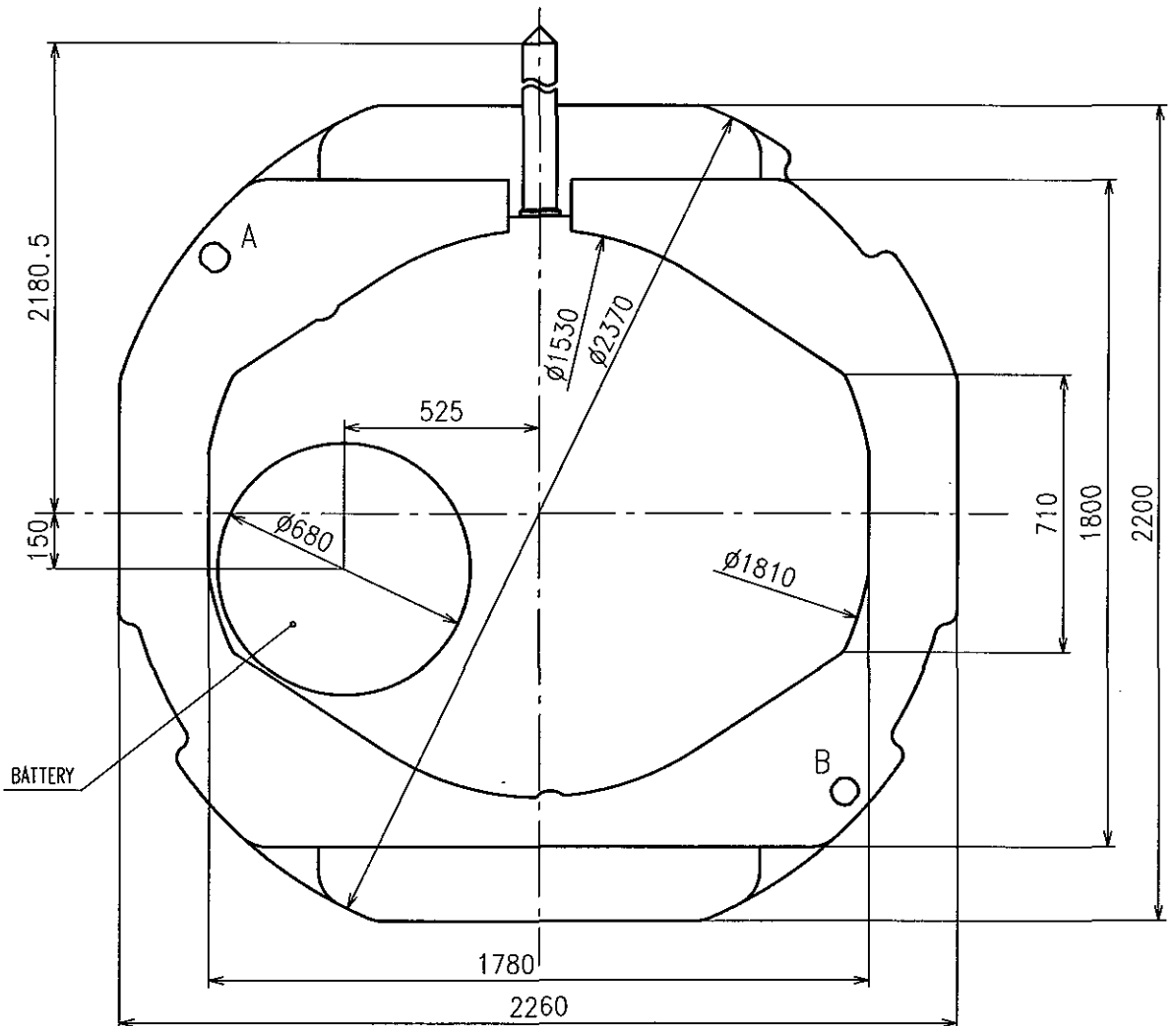




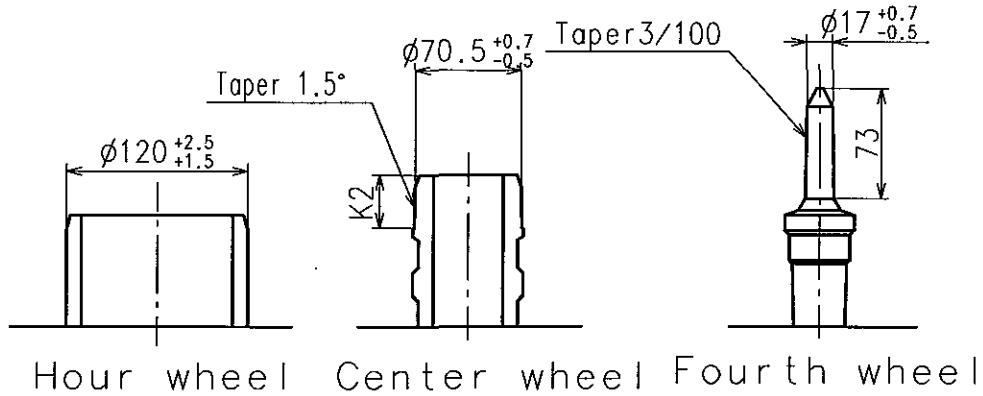
※1: First pullout stroke

※2: Second pullout stroke

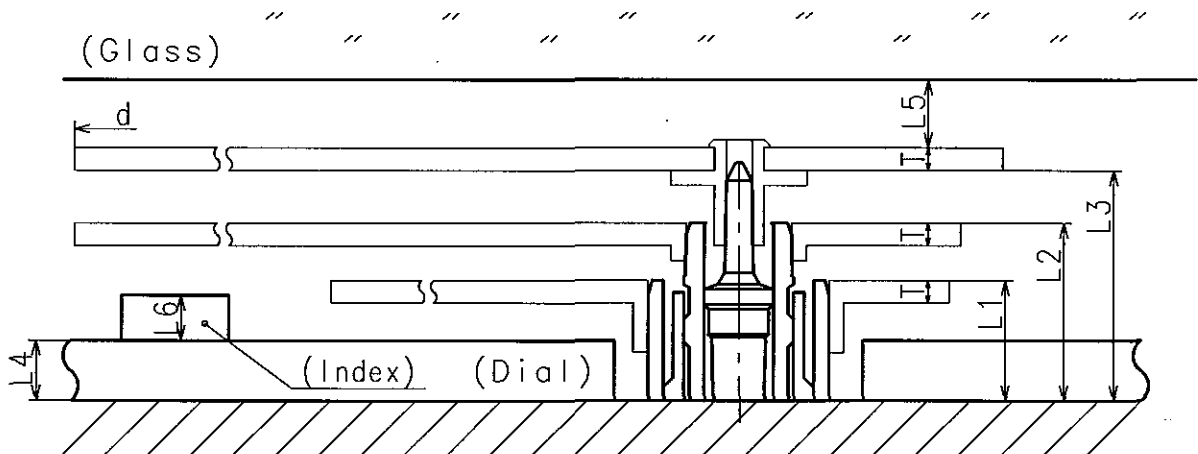
Center post		Type S (1) AL32A
Maximum height from dial support	H1	185
Total height incl. movement	H2	600



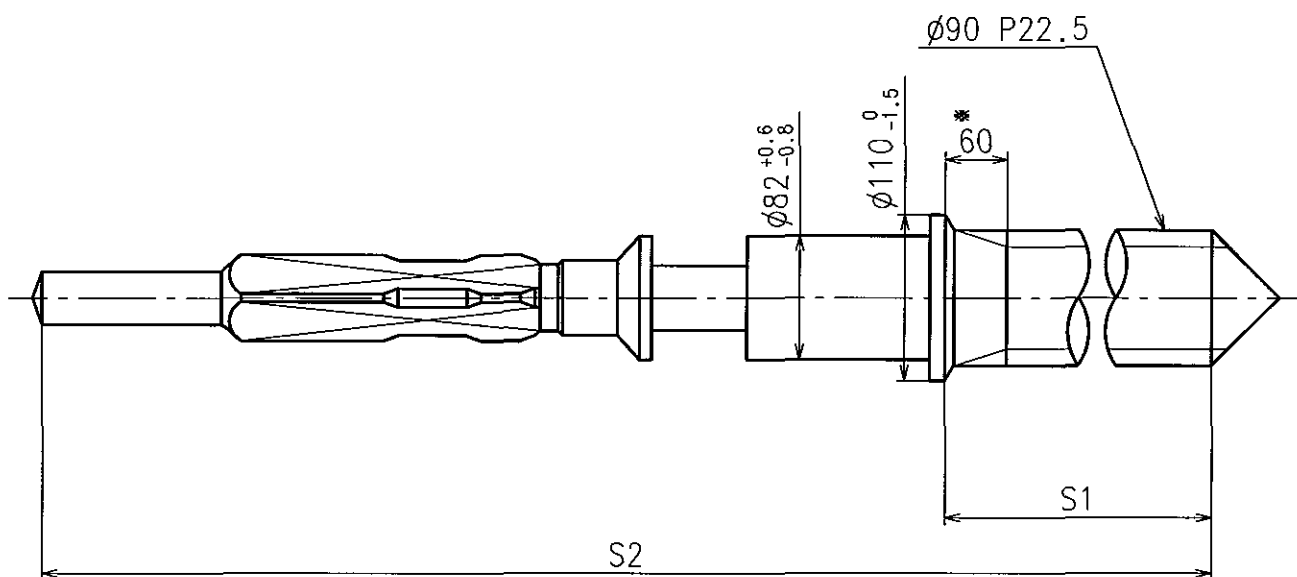
- ※ Second hand unbalance $\leq 6\mu\text{ g} \cdot \text{m} (0.06\mu\text{ N} \cdot \text{m})$
- ※ Minute hand unbalance $\leq 60\mu\text{ g} \cdot \text{m} (0.6\mu\text{ N} \cdot \text{m})$
- ※ Hour hand unbalance $\leq 50\mu\text{ g} \cdot \text{m} (0.5\mu\text{ N} \cdot \text{m})$



	Parts No.			Dimension	
	Hour wheel	Center wheel	Fourth wheel		K2
Type S (1) AL32A	0271517	0221565	0241527		35



	L1	L2	L3	L4	L5	L6	T	d
Type S (1) AL32A	110	150	180	40	MIN: 50	MAX: 30	15	MAX: ø2500

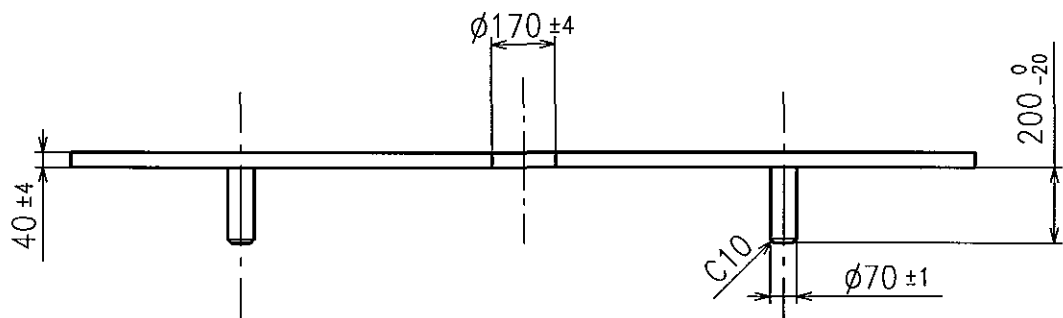
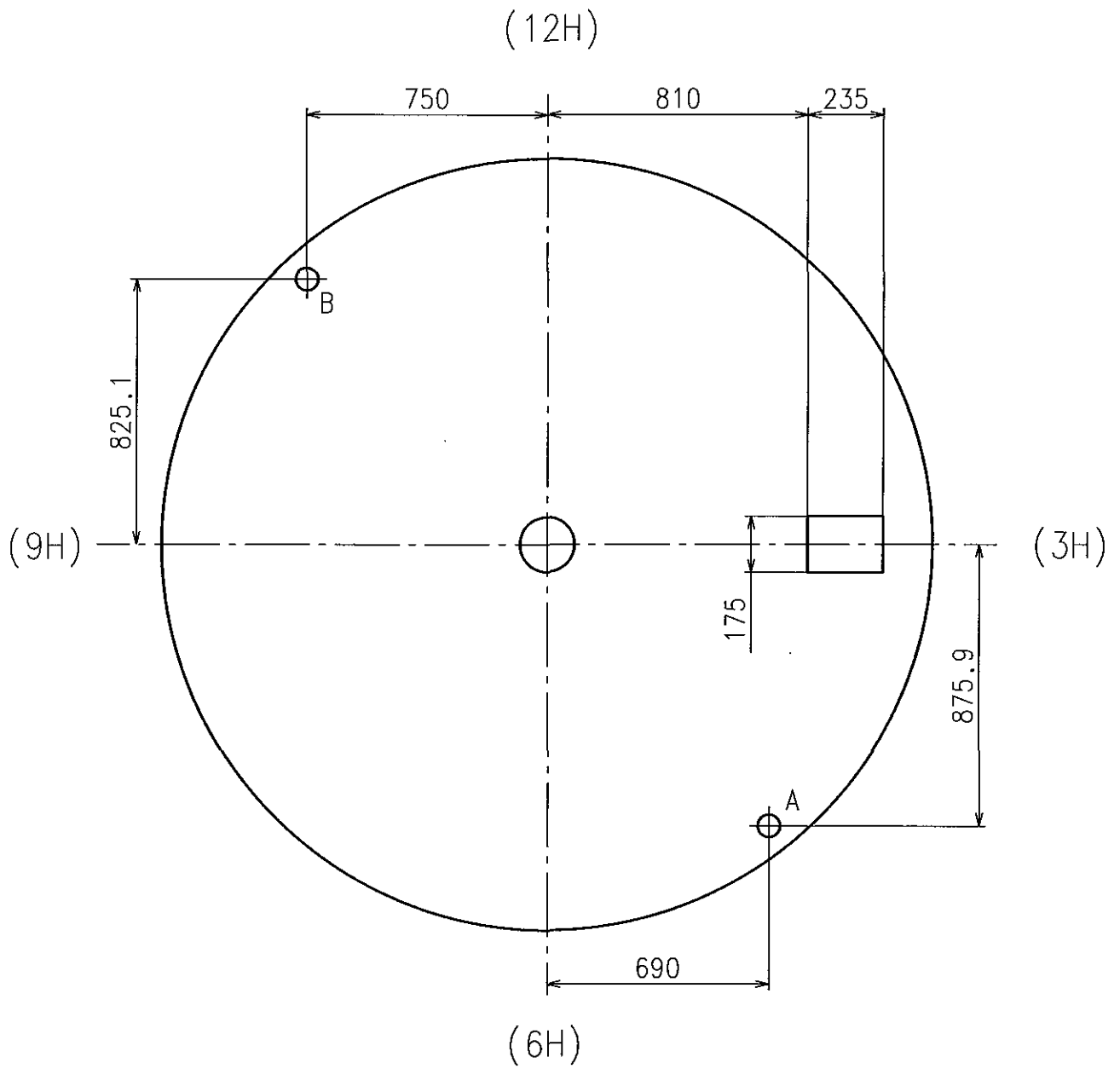


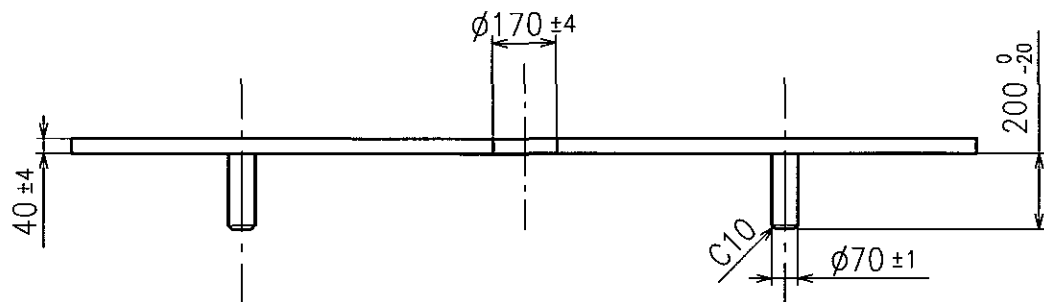
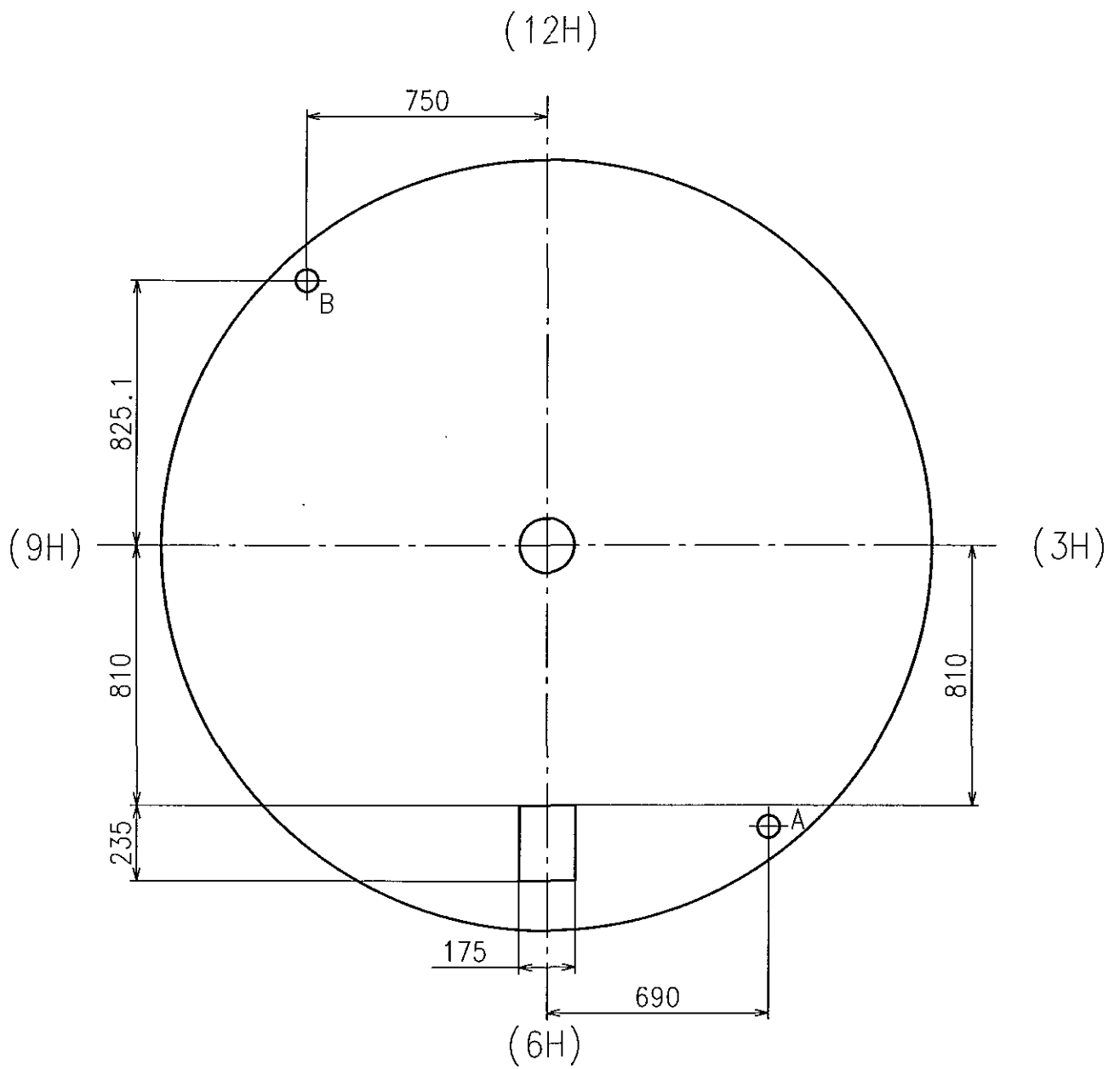
* Not threaded

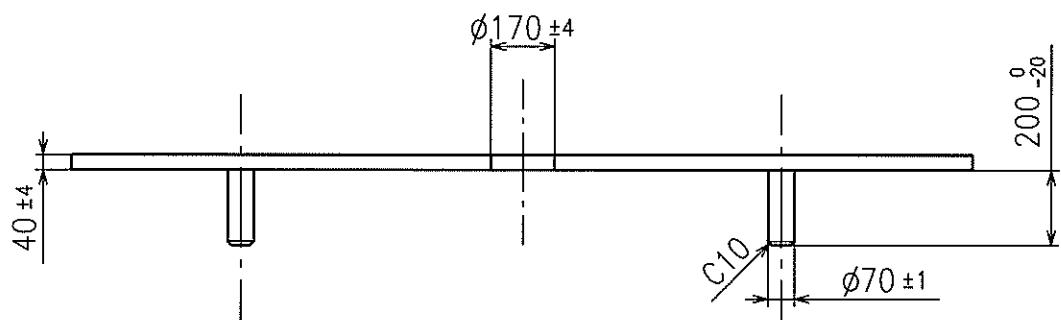
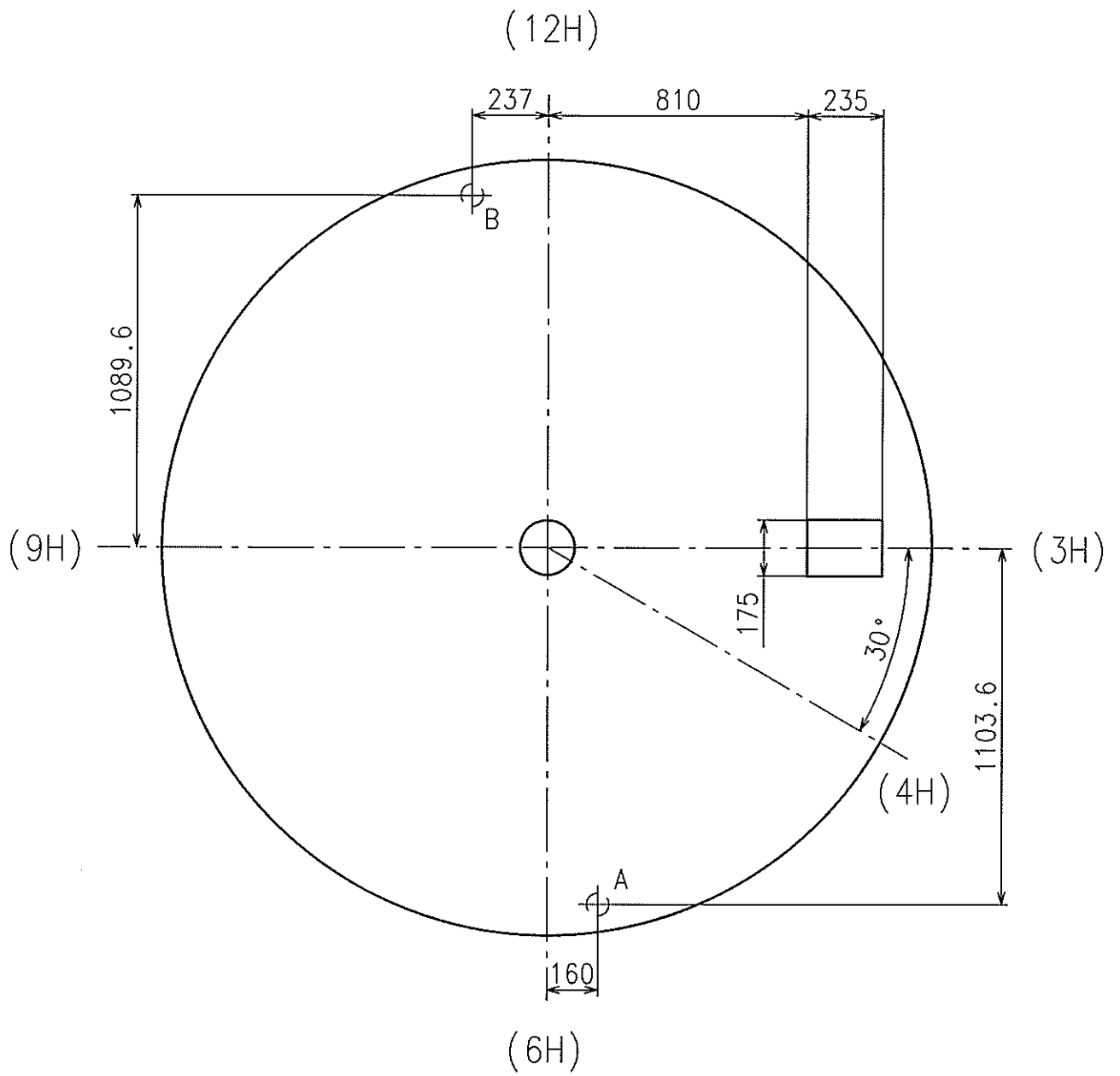
	Part No.	S1	S2
Standard	0351177	1366	1964

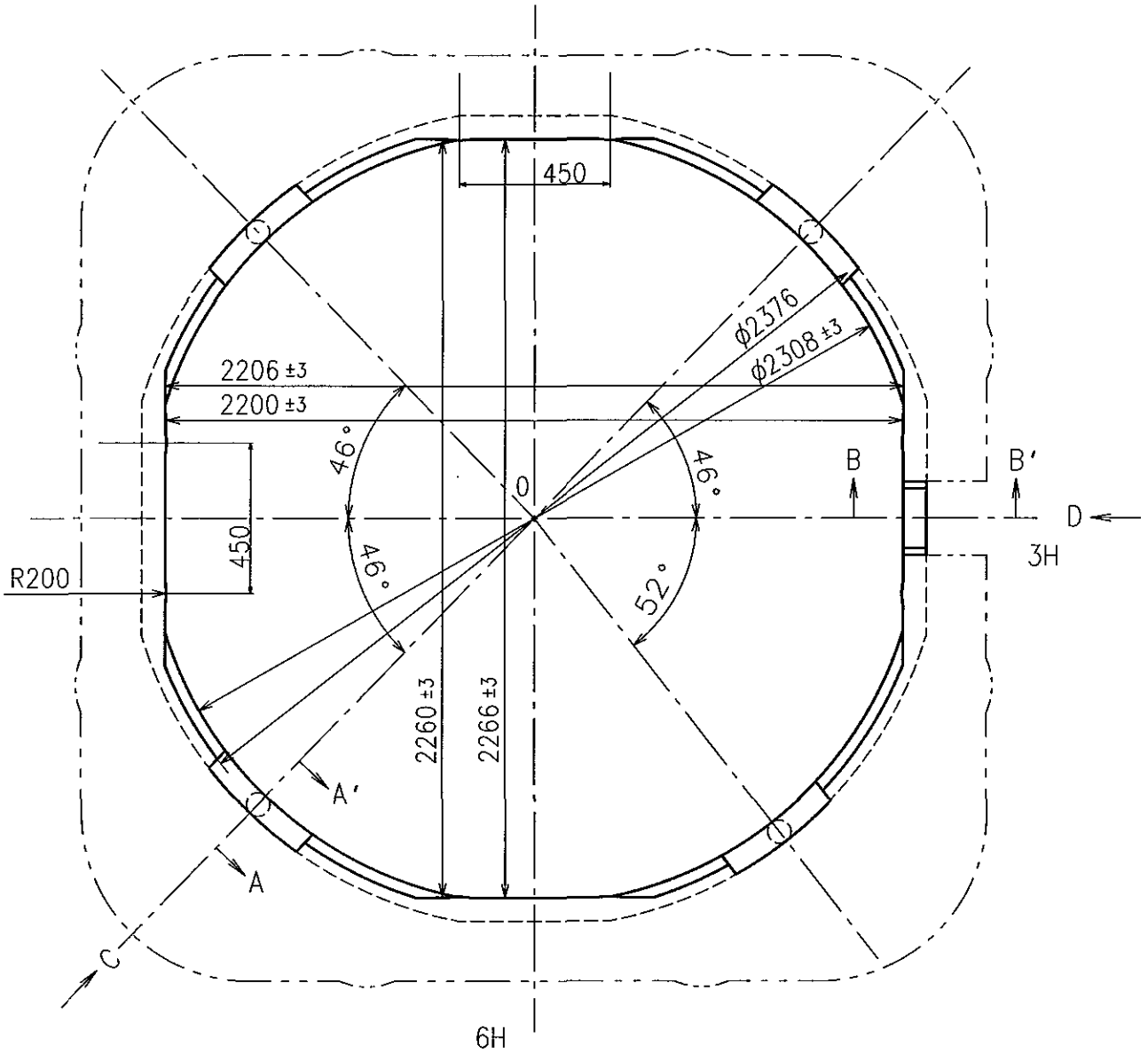
Material : Steel

Hardness : Vickers 600 ± 50









C view

A-A' section

B-B' section

D view

